

1997 Nissan 240SX Parts - Interior

Front Seats – great condition - \$275 for both
Driver / Passenger (SE model)



Seat belt buckles not included

Rear Seat - \$125 both pieces (SE - some fading on top of seat back)



Rear Window package Tray - \$30



Carpet – OEM - very good condition - \$30 (some wear drivers side)



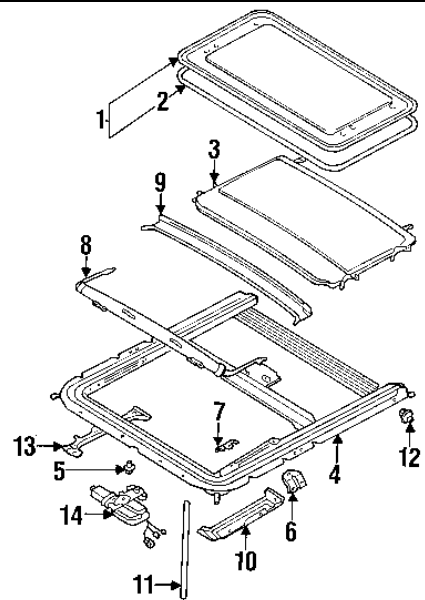
Headliner (for car with sunroof) – very good condition with trim - \$30



Sunroof / interior ceiling wiring harness - \$30



Sunroof Assembly - \$125. With Headliner/trim - \$150 – With headliner & Harness - \$175



Sunroof Assembly - Includes

- 1) Sunroof panel 2) Weatherstrip 3) Sunshade Black
- 4) Frame assy 5) Frame assy Clip 6) Frame assy Side bracket
- 7) Frame assy Shim 8) Deflector 9) Rear drip rail
- 13) Inner trim Right 10) Inner trim Left 14) Motor

Sunroof Control/map light - \$25



Dome Light - \$10



Center Console - \$50 (without switches)



Glove box and bracket - \$30



Rear View Mirror - \$15



**Sun Visors - \$20 for both or separate
 Passenger \$15
 Driver (slight tear) \$10**



**E-Brake – Lever Only - \$20
 E-Brake – Brake Cables - \$20
 Brake lever/assembly with cables - \$35**



Rear seat plastic side panels with insulation - \$30/pair



Trim under steering column - \$20



Trim Around Steering column - \$20



Interior trim parts – Make offer
Dead Pedal,
Around door openings (B/C Pillars)
Fuse box trim and door
ECU area trim
Dash defogger strip,
Door sills



Radio Trim Bezel - \$10 (broken in lower right corner, some of the screw mounting holes in back are shot)



AC Vents / Trim (without hazard/defrost switches) - \$50



Gauge cluster trim bezel - \$20



AC Vents for dash - \$10.00 each



Coin tray - \$10.00



????? - \$???



????? - \$???



Door Interior parts

Door panel Drivers Side - \$50 – (slight tear near left bottom, otherwise great shape)



**Door latch handle trim - \$10 pass side,
\$5 drivers side (has slight crack @ arrow)**



**Door speaker mounts - \$10.00 each
(have 2)**



**Steering Wheel – stock - \$35
(wheel only, no air bag module, cruise switch,
column not included)**



Trunk Release lever - \$15



Front seat belts – \$60 for the pair
1) retractor, 2) retractor covers, 3) buckles



Rear seat belts - \$45 for the set
1) retractor, 2) retractor covers, 3) buckles,

